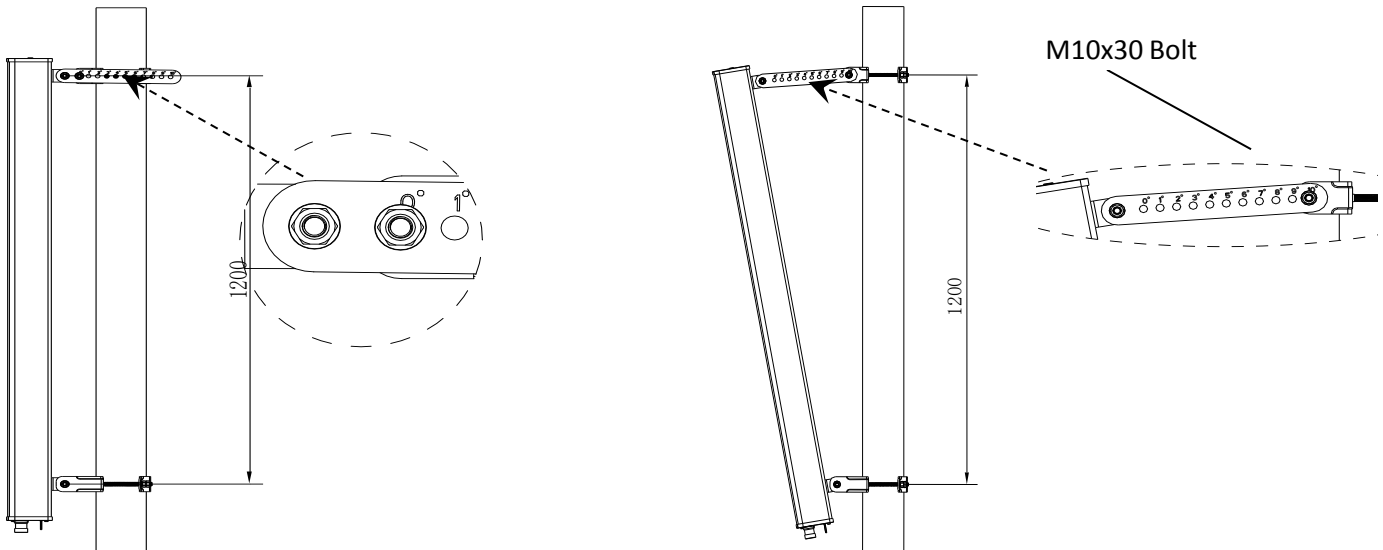


Item	Description	Qty
1	Calibration sheet	2
2	Clip bracket-1	1
3	Clip bracket-2	2
4	M10x115 Bolt	4
5	M10 Screw Nut	14
6	φ10 Flat Washer	10
7	φ10 Spring Washer	10
8	M10x30 Bolt	6
9	φ14 Flat Washer	6
10	Clip bracket-3	1

Nuts tightening force

Nut type	Torques	Wrench type
M8	16-22N.m	13mm
M10	32-40N.m	17mm
M12	57-75N.m	19mm
M6	6-8N.m	10mm

Antenna installation procedure



* Fix the antenna with downtilt 0 degrees on pipe as shown.

* Adjust downtilt angle by calibration sheet, Tightening all screw nuts.