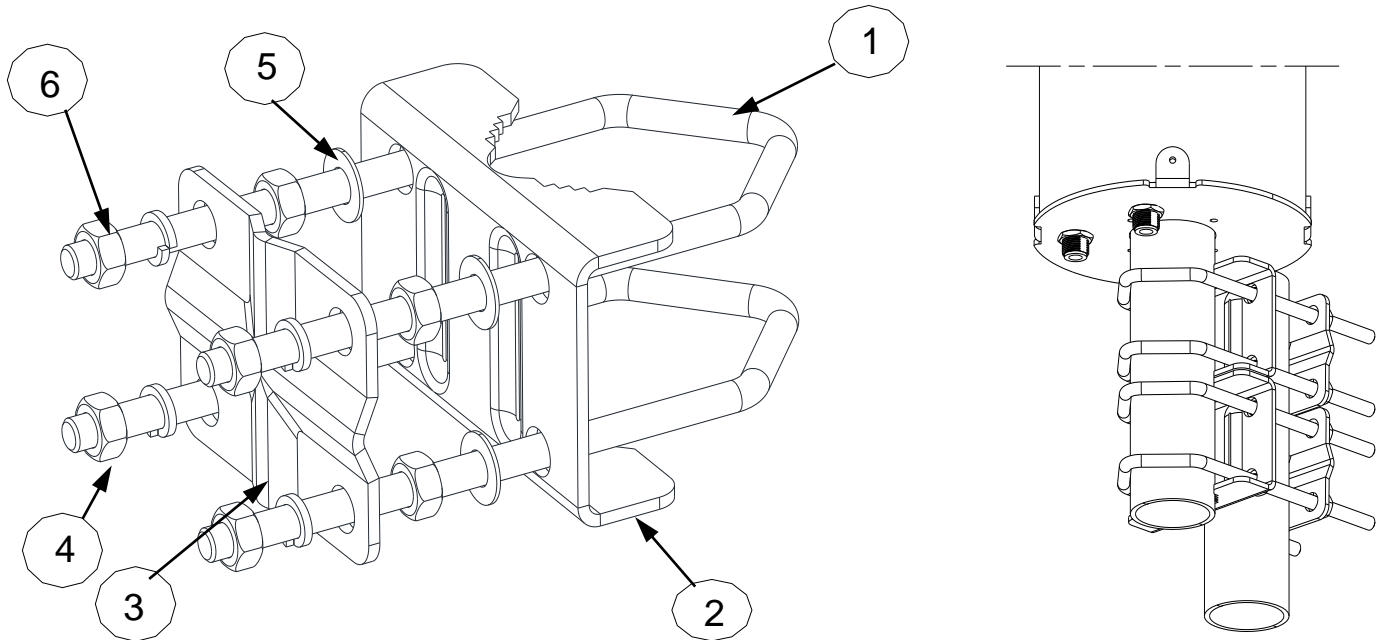


## Mounting Kit for Omni Antennas (Galvanise Steel)



Item	Description	Quantity
1	U-Bolt	2
2	V-Plate	1
3	Plate	1
4	Nut M8	8
5	Flat Washer M8	4
6	Spring Washer M8	4

Tools Required: 13mm Spanners for M8 Nuts.

Tighten the M8 nuts to 14NM (10 ft-lbs).

Do not over-tighten. Excessive torque loading can distort the V Block components

### Mechanical Specifications

Pole Diameter:	30-50mm Pipe
Material:	Galvanised Steel