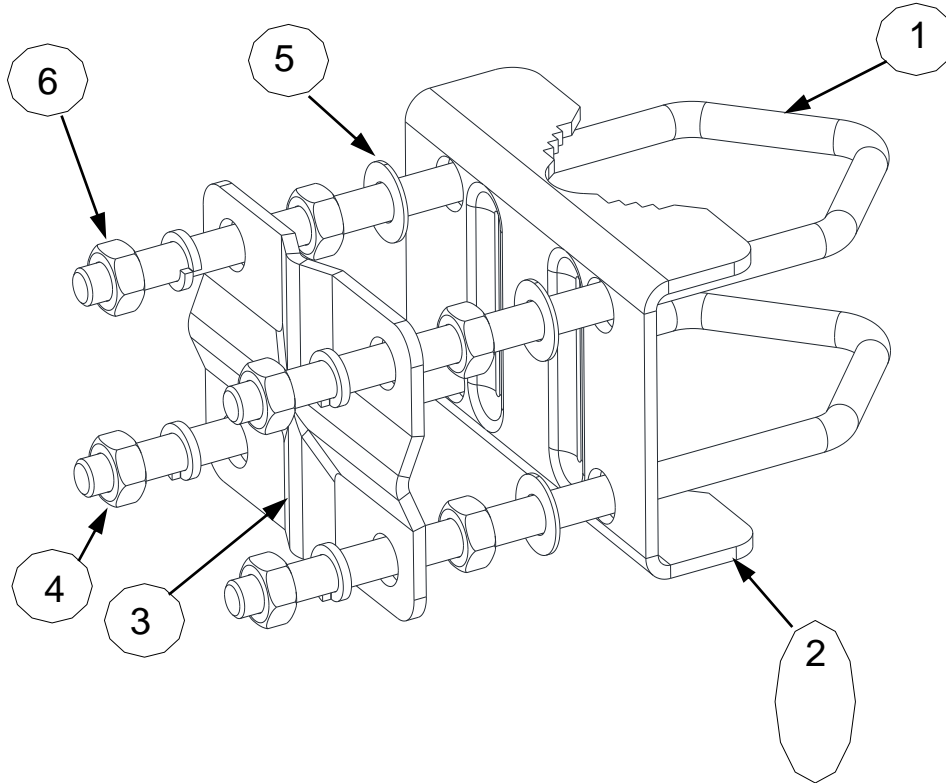


Mounting Kit for Omni Antennas (Stainless Steel)



Item	Description	Quantity
1	U-Bolt (S/S)	2
2	V-Plate (S/S)	1
3	Plate (S/S)	1
4	Nut M8 (S/S)	8
5	Flat Washer M8 (S/S)	4
6	Spring Washer M8 (S/S)	4
7	Setscrew Grease Sachet (apply to item 1, U-Bolt)	1

Tools Required: 13mm Spanners for M8 Nuts.

Apply Grease (provided) to the thread on the M8 U-Bolt (where nut tightens).

Tighten the M8 nuts to 14NM (10 ft-lbs).

Do not over-tighten. Excessive torque loading can distort the V Block components.

Mechanical Specifications

Pole Diameter:	30-50mm Pipe
Material:	Stainless Steel