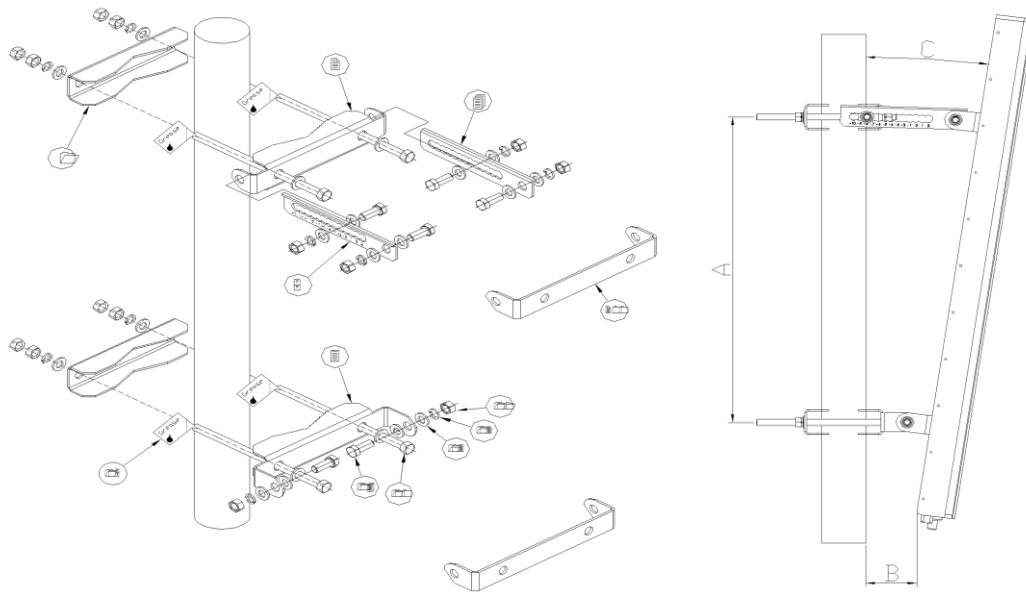


M8 2.0mm, Standard Mount Kit



Item	Description	Quantity
1	V-Block (S/S)	2
2	V-Block With Reversed Arms (S/S)	1
3	V-Block With Long Arms (S/S)	1
4	Tilt Arm – RH (S/S)	1
5	Tilt Arm – LH (S/S)	1
100	Setscrew M8x180 (S/S)	4
101	Nut M8 (S/S)	14
102	Spring Washer 8 (S/S)	10
103	Flat Washer 8 (S/S)	20
104	Bolt M8x20 (S/S)	6
105	Setscrew Grease Sachet (apply to items 100, Setscrew M8 x 180)	1
200	Antenna C-Bracket (S/S) – Supplied With Antenna. Not Part Of This Kit.	2

Tools Required: 13mm Spanners for M8 Nuts and Bolts.
 Apply Grease to M8 adjustable Bolts and to the Setscrews (where nut tightens).
 Tighten the M8 Bolts and Setscrews to 14NM (10 ft-lbs).
 Do not over-tighten. Excessive torque loading can distort the V Block components.

Mechanical Specifications

Dimension 'A'	480mm(650mm)
Dimension 'B'	85mm @ 0°
Dimension 'C'	+2° to -10° (**+10° to -2°)
Pole Diameter:	50 – 115mm
Material:	Stainless Steel

**The top bracket and tilt arms are swapped with the bottom bracket

© Alpha Wireless Limited 2014. Last modified December, 2, 2014

Web: www.alphaantennas.com Email: info@alphaantennas.com

Alpha Wireless are always improving products; specification subject to change without notice.