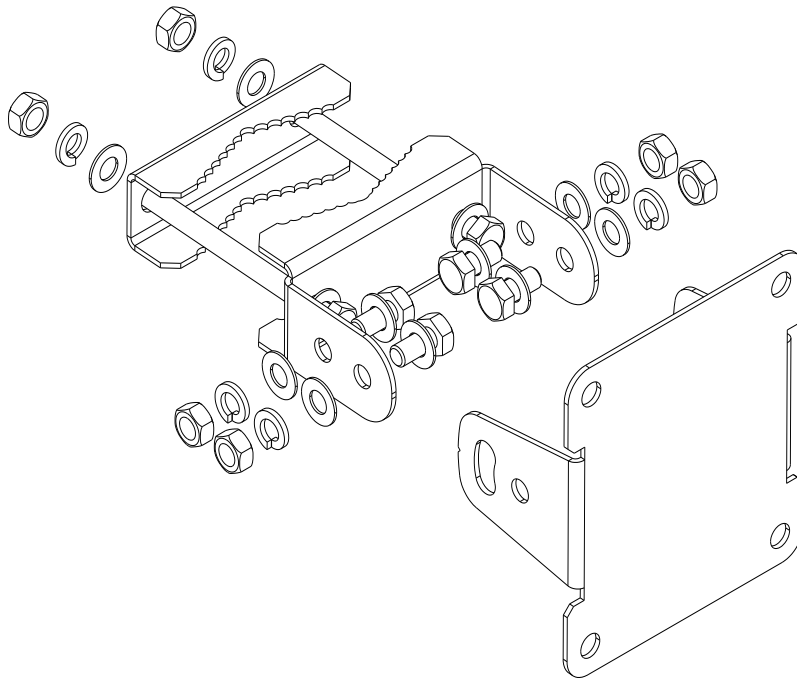


Pole Pivot Mount Installation Kit



Item	Description	Quantity
1	V-Block (S/S)	1
2	V-Block With Arms (S/S)	1
3	Setscrew M8x100 (S/S)	2
4	Nut M8 (S/S)	6
5	Spring Washer 8 (S/S)	6
6	Flat Washer 8 (S/S)	12
7	Bolt M8x20 (S/S)	4
8	Antenna C-Bracket (S/S) – Supplied With Antenna. Not Part Of This Kit.	1

Tools Required: 13mm Spanners for M8 Nuts and Bolts.

Apply Grease to M8 adjustable Bolts and to the Setscrews (where nut tightens).

Tighten the M8 Bolts and Setscrews to 14NM (10 ft-lbs).

Do not over-tighten. Excessive torque loading can distort the V Block components.

Mechanical Specifications

Tilt:	+15° to -15°
Max. Pole Diameter:	60mm
Material:	Stainless Steel
Fasteners:	M8 Throughout
Tools Required:	13mm Spanners for M8 Nuts and Bolts